

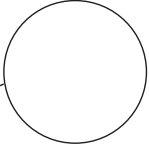
3 PART PARK O MATE/POM3BC1

2" X 4"

12,000/box

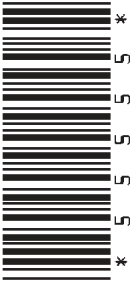
Can Be Customized

FRONT


5555

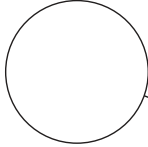
55-555

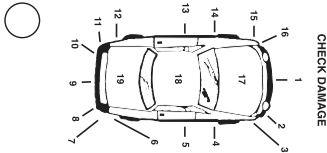
LIC. NO.	LOCATION
MAKE	COLOR


* 5 5 5 5 5 *

SOUTHLAND PRINTING • SHREVEPORT, LA. PRINTED IN U S A
S104067

BACK




CHECK DAMAGE

OUT
IN

WWW.SOUTHLANDPRINTING.COM